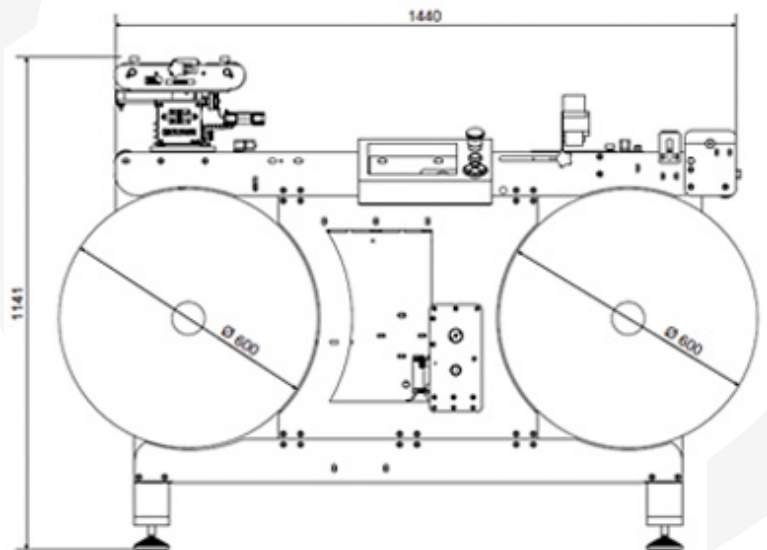


# Reit

Entry level rewriter useful for digital printing short runs or doctoring machine

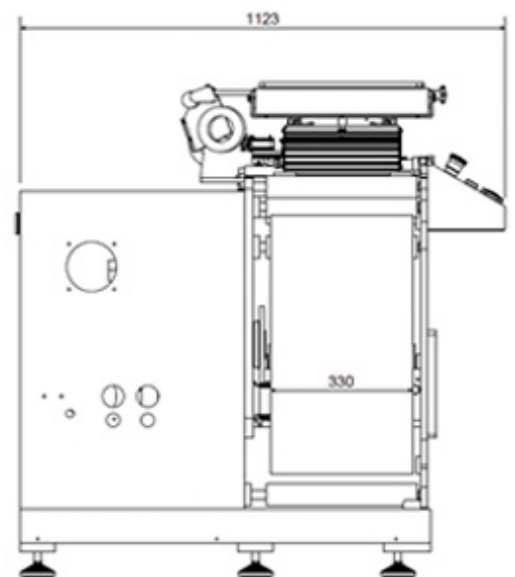
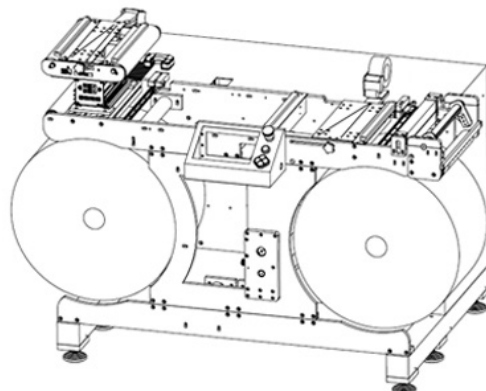
## MAIN FEATURES

- 600mm servo driven unwinder and rewriter
- Face in-face out unwinding and rewinding
- Webguide with ultrasonic sensor and splicing table with pneumatic clamps
- Servo drive pneumatic nip roll
- Display 7" color touch screen with step by step instructions
- Stop production with label counter, length and final diameter
- Ultrasonic label counter
- Max speed 200m/min
- Available size 330mm



## AVAILABLE OPTIONS

- 100% inspection system
- Mark distance sensor
- Ink jet marker for variable data, datamatrix etc
- Longitudinal razor slitting unit
- Second rewriter for bidirectional run
- Mechanic/electric expansion for 600mm-100Kg rolls
- Missing label system



**Labeltech sas** di Gabriele D'Onofrio & C.  
Via per Turbigo, 17 - 20022 Castano Primo (MI) Italy  
Tel. +39 0331 882289 · info@labeltech.it [labeltech.it](http://labeltech.it)

